

# **LG-IRM2A638KEF3**

## **Infrared Receiver Module**

### **DATA SHEET**

SPEC.NO. : SZ19070801  
DATE : 2017/07/08  
REV. : A/0

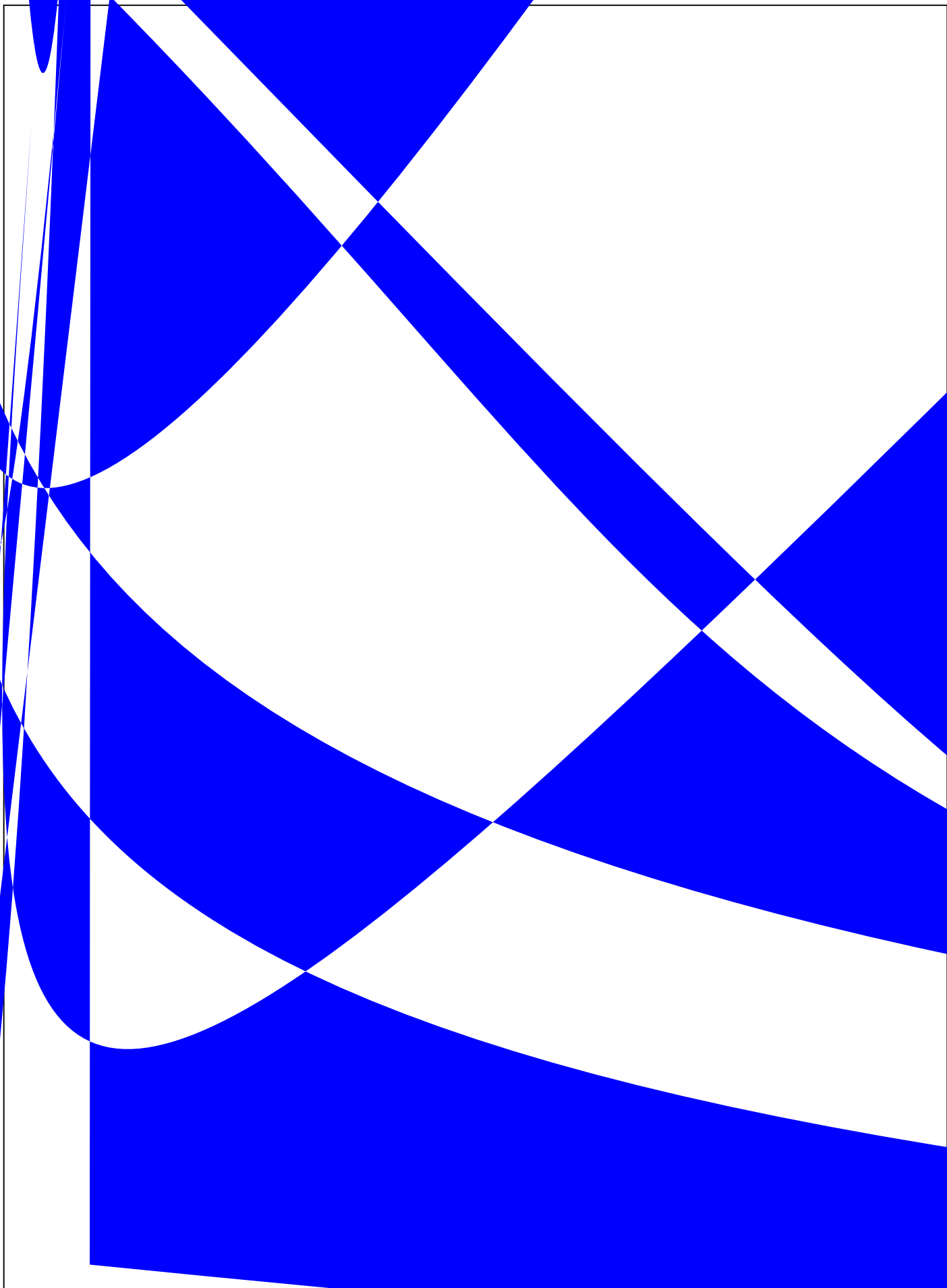
Approved By:

Checked By:

Prepared By:

LIGHT

CO., LTD.



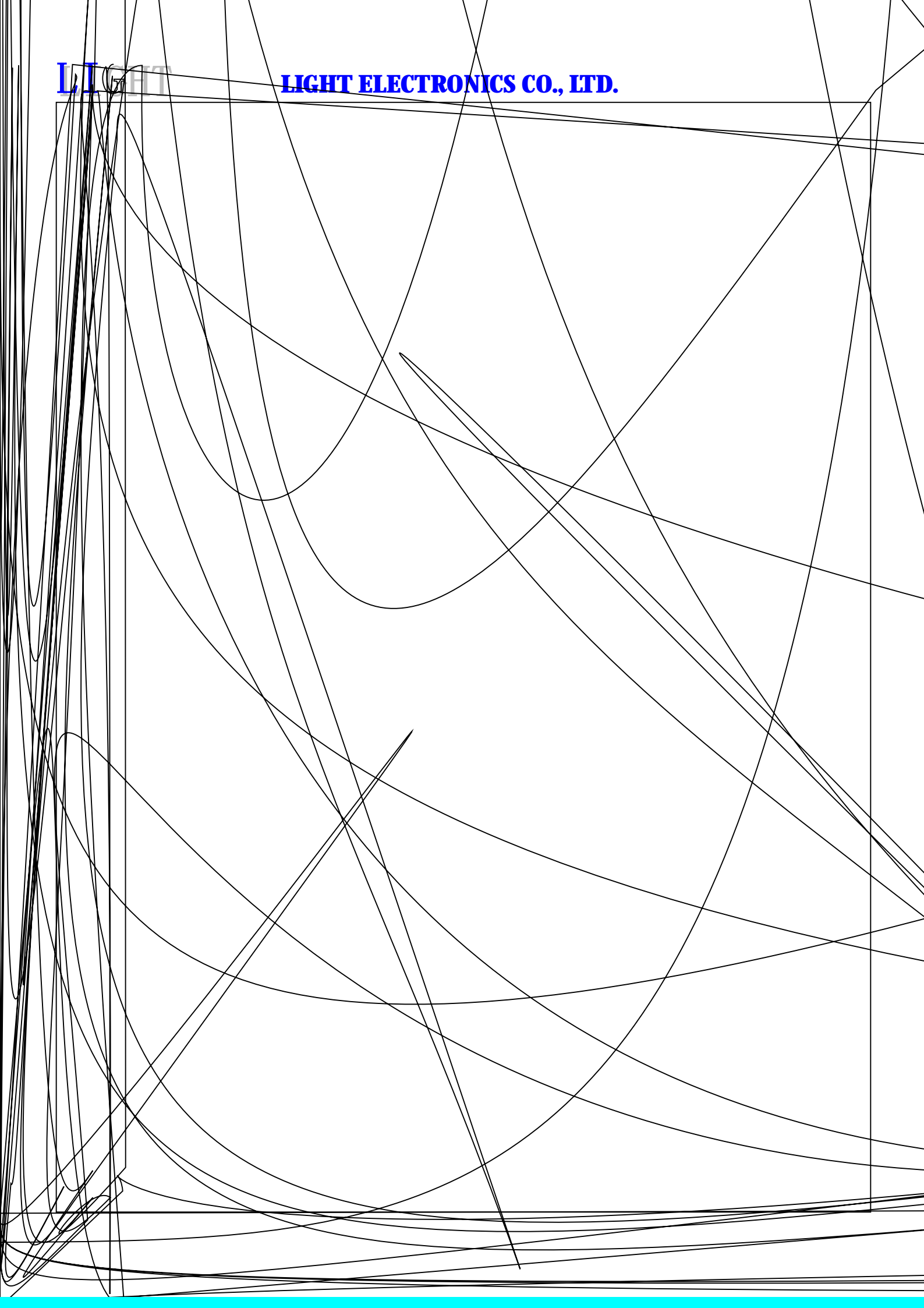


6 (T=25 Vcc=3v f<sub>o</sub>=38KHZ)

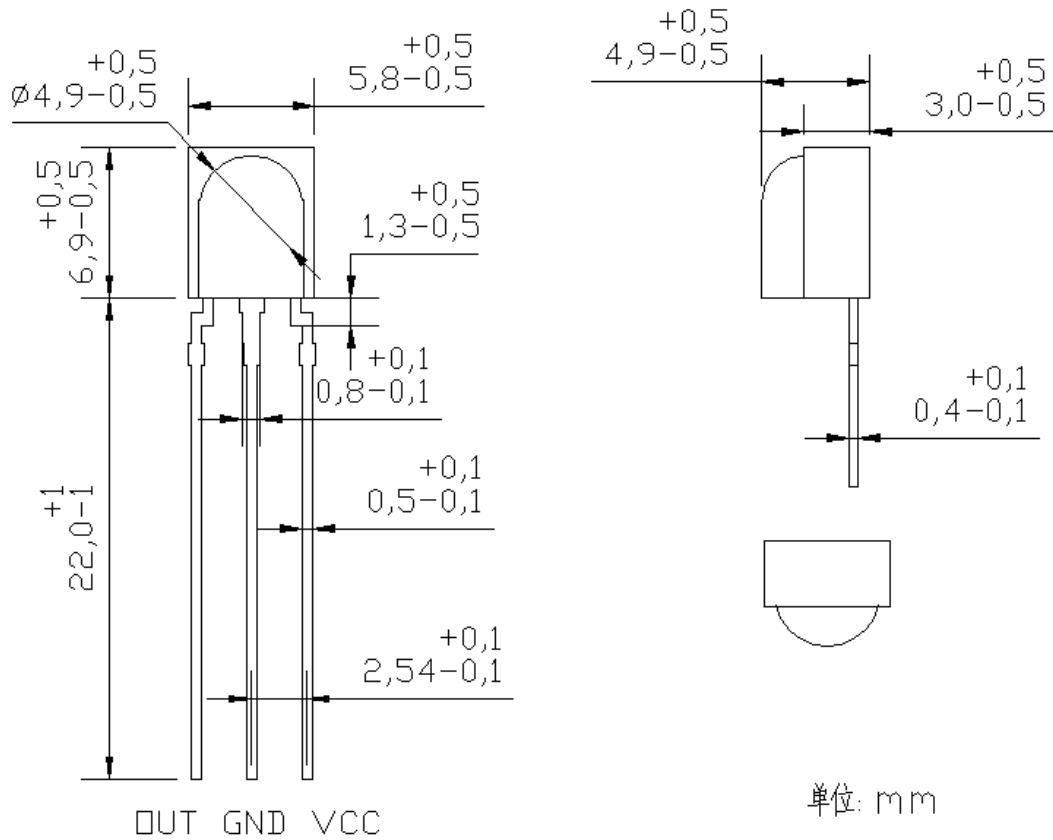
			Min	Type	Max	
	I <sub>cc</sub>	VDD=3v	0.2	0.4	0.6	mA
	L O°		15	17		M

LIGHT

**LIGHT ELECTRONICS CO., LTD.**

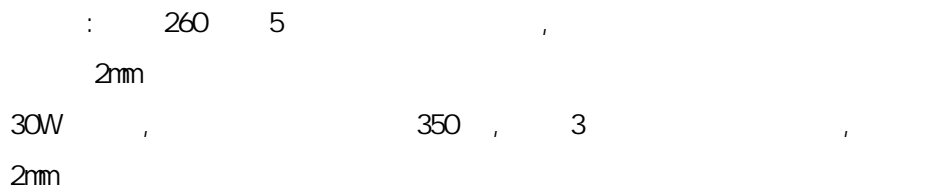


14



15

1).



2).

3).



4).

5).

6).

3

7).

LIGHT

**LIGHT ELECTRONICS CO., LTD.**

