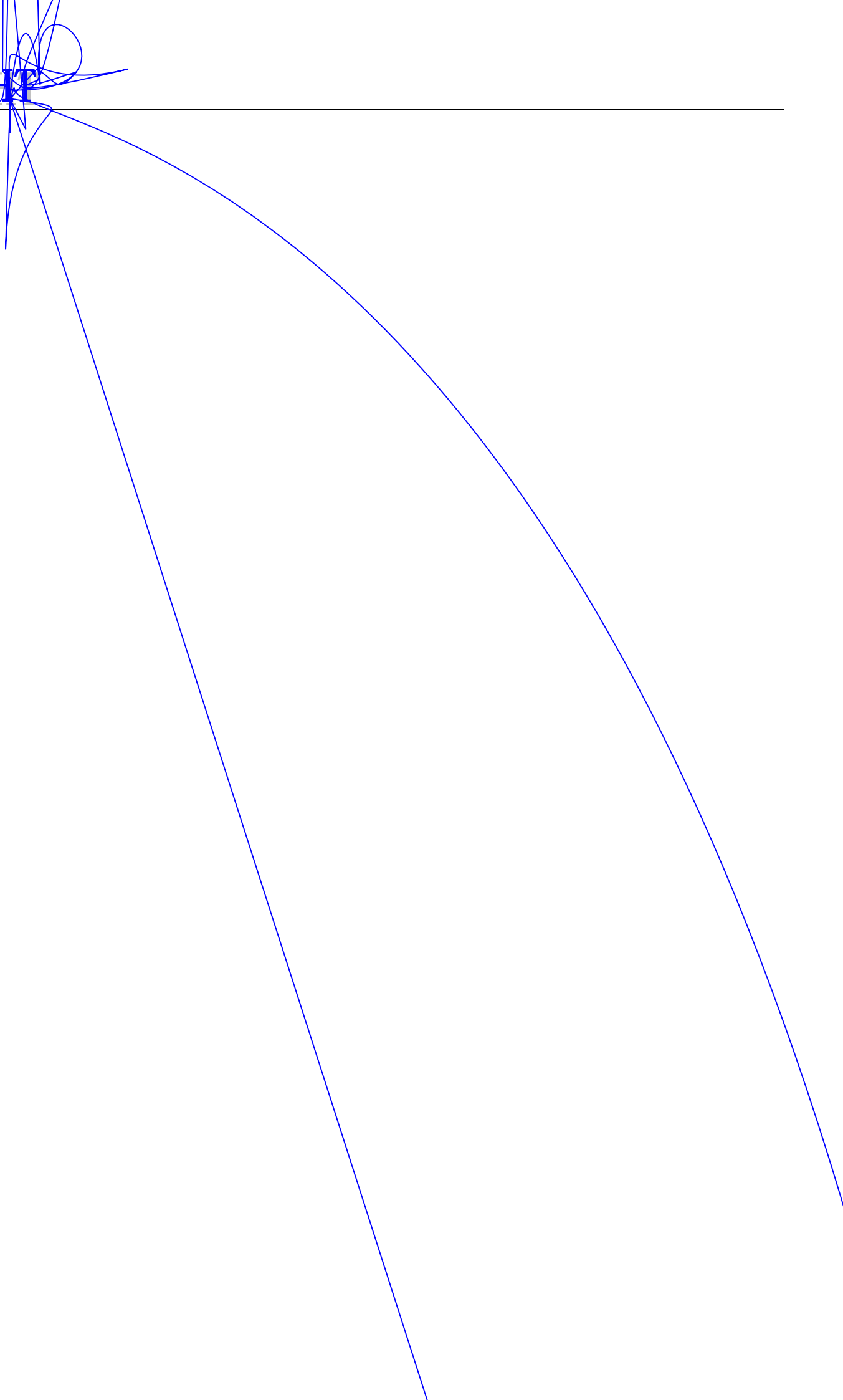


LIGHT



Electro-Optical Characteristics



9 E J L S * . :

H		K	J	M
		A	* .	9
H		A _H) ((9
J N		N _J	-	N
G L		L _{G H J}	N+ () 0 -	
K L		L	N+ () ((
H <	J	H _J	- (O
			I (
			I (

(A)) ((F 2 H O (A) <)) (



Electro-Optical Characteristics (Temperature=25°C)

H	K	:	:	E &	L &	E &	M
J	A _J	N J S - N	J) (9
) (
) (
N	N	A S - 9	J) A0	* &(* &	N
				+ &	+ &(+ &	
				+ &	+ &(+ &	
< O	<	A S - 9	J	-) -	- * *	- + (
				-) -	- * -	- + -	
				-) -	- / (- 0 (
K J		A S - 9	J			* .	
						+ 0	
						+ 0	
D A	A _D	A S - 9	J	+) (- / (/ ((
				- ((/ - () * ((
				/ () * () 0 (
N 9	*) -) ((&

以上 厂商

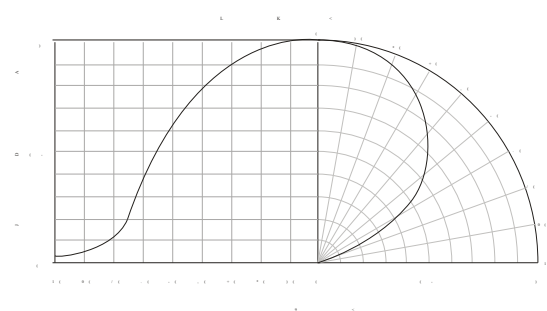
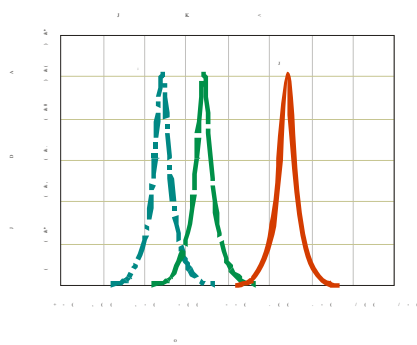
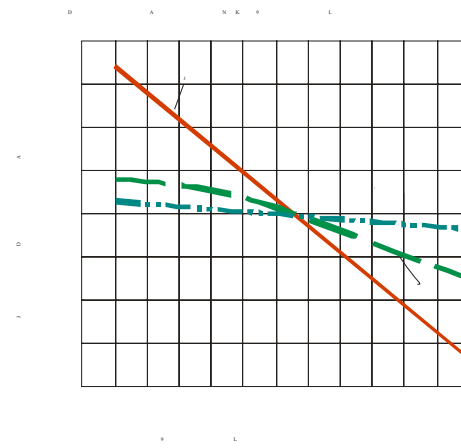
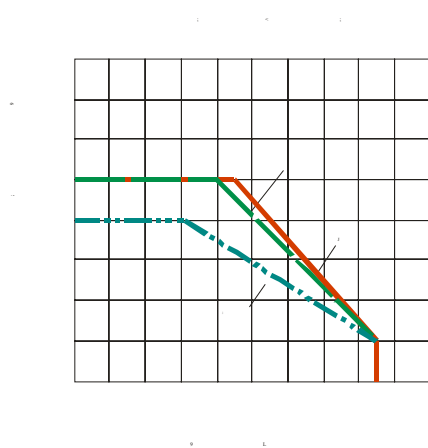
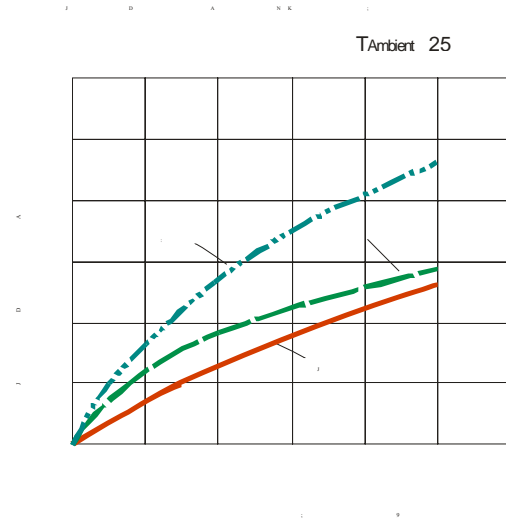
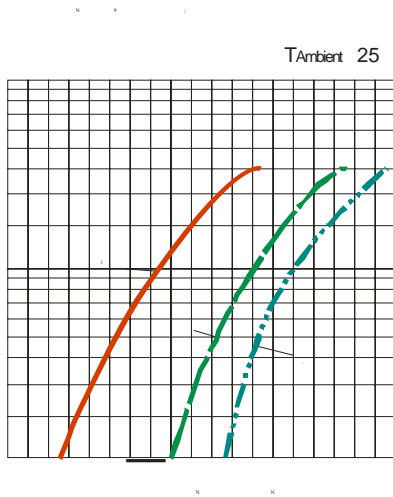
F 2 L

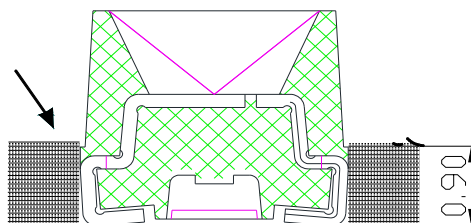
A A

A 9

manufacturer.

Typical Characteristics Curves





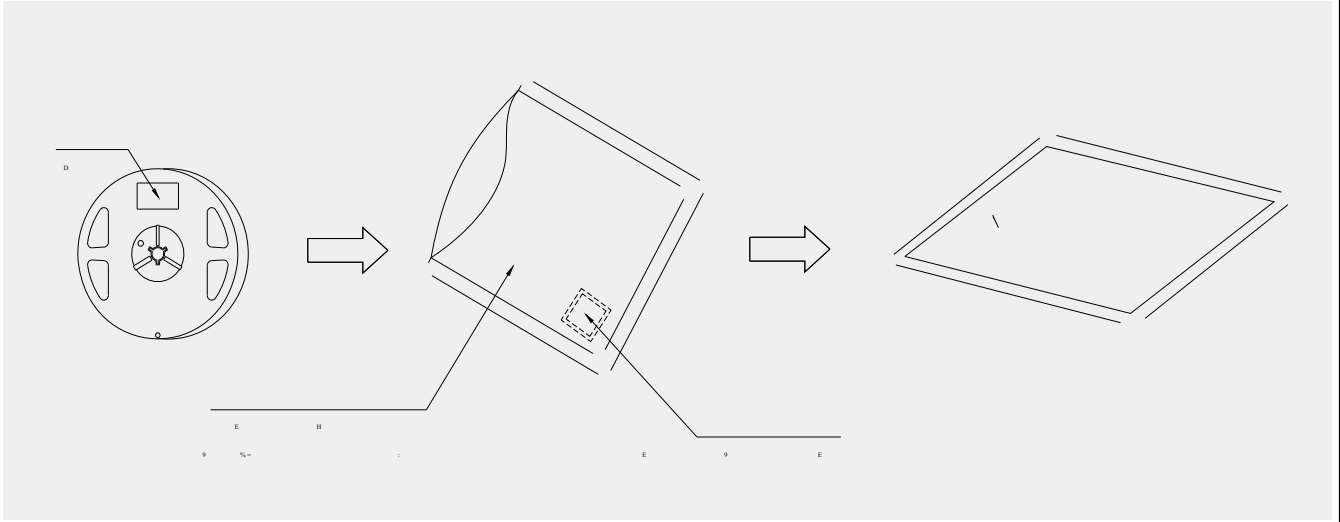
LIGHT

2

Packaging(2)



Moisture Proof and Anti-Static Foil Bag



Cardboard Box



Label Explanation

L

(1)

Precautions (1)

1.

Storage

- E % & & 4 + (4 . (J K 2 9 4 + (4 . (J K E L & 4 + (
- 4 + (4 . (J) * 4 + (4 . (J & M K E < D = <) * &
- / (-) * / (- * , / (- , 0 2 / (-) * 9 * 2 / (- * , < 2 / (- , 0

2.

Static Electricity

- K D - < & < D - < D - < & A D - < K E < D - < &
- 9 % &
- A % D - < &

(2)

Precautions (2)

3.

Design Consideration

-

A

D = <

D = < & A

&

-

9

D = <

:

D = <

N

D = <

A

:

9

D = <

:

&

O

D = <

:

:

D = <

N

N

D = < & A

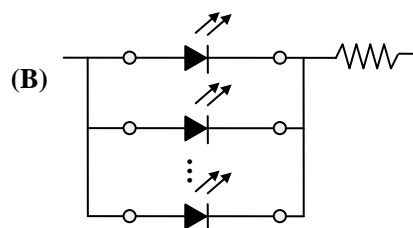
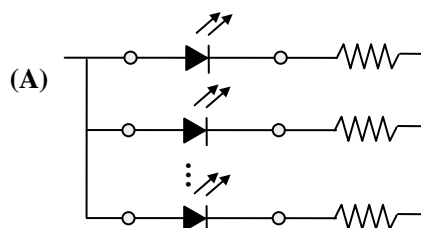
D = <

9

E

J

&



-

D = <

D = <

L

<

:

:

& H

&

4.

Reverse voltage protection

-

D = <

D = <

D = <

D = <

- N

-

A

D = <

& :

&

(3)

Precautions (3)

5.

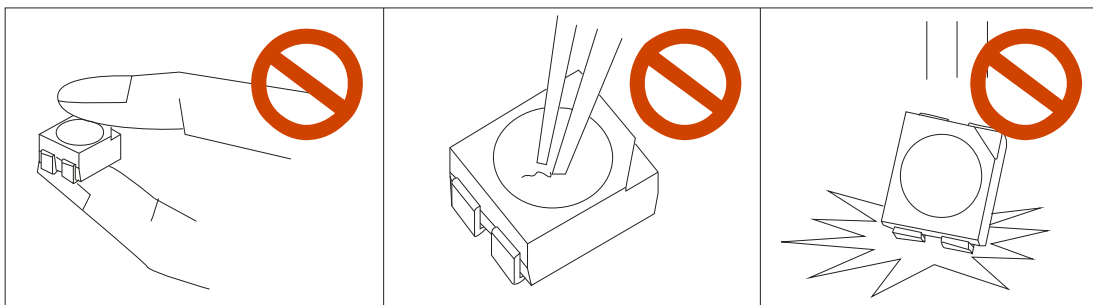
The safe temperature for LEDs working

-

6.

Others

-



-