

LT-GDM-02-G2

Ground-Detecting Module

Product Specifications

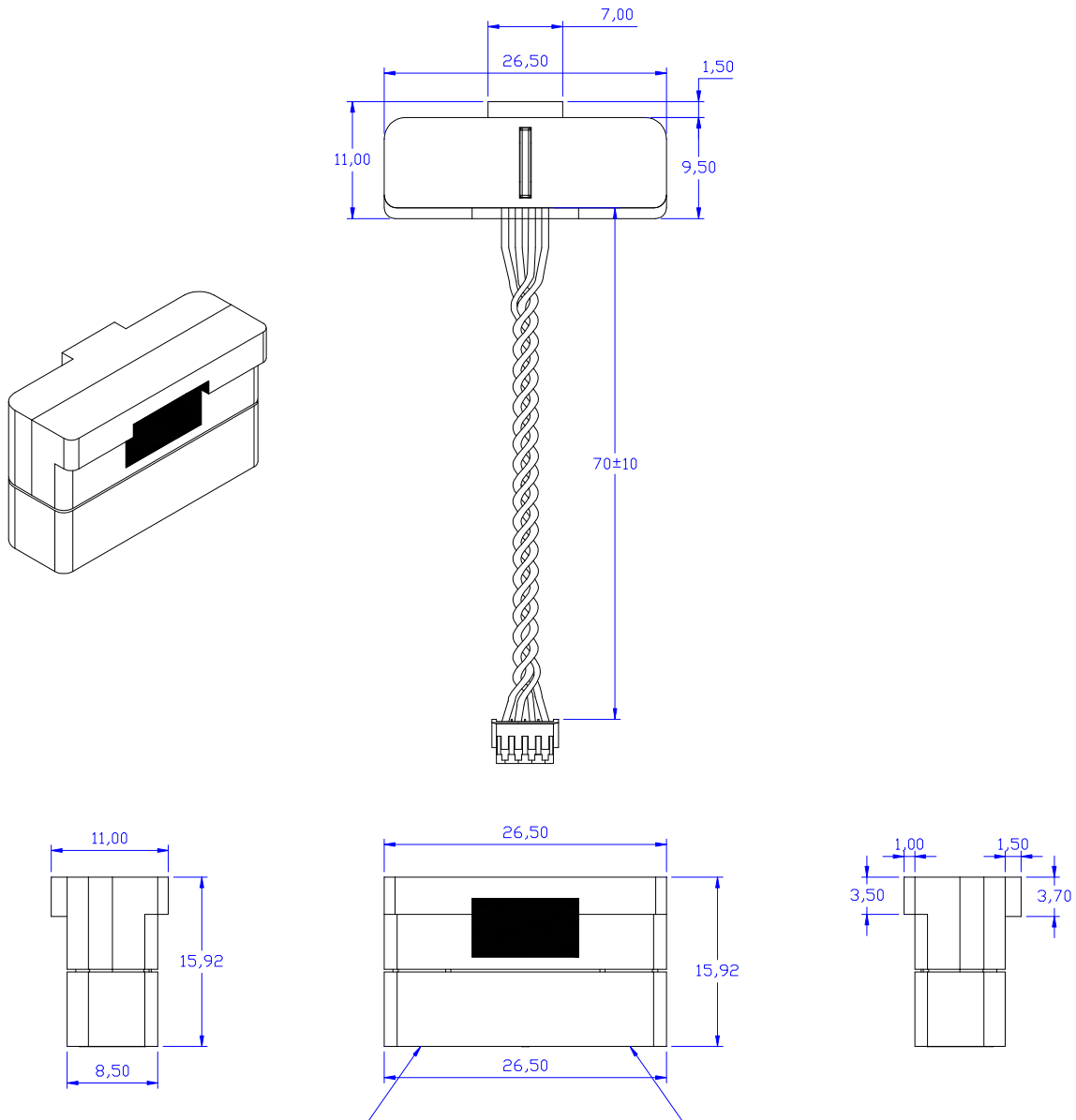
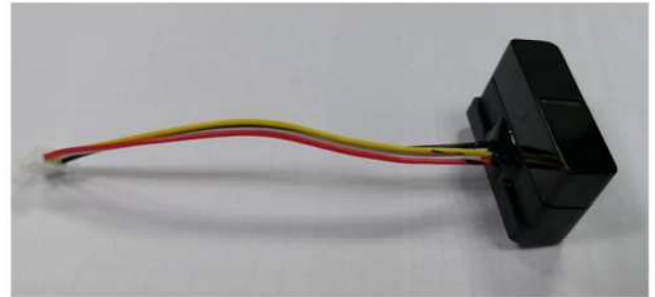
SPEC. NO. : SZ22101201
DATE : 2022/11/7
REV. : A/1

Approved By:

Checked By:

Prepared By:

Dimensions of Module



Notes:

1. All dimensions are in millimeters.
2. Tolerance is $\pm 0,50$ mm unless otherwise noted.



4. Specifications are subject to change without notice.



