

## LG-ITR2C-191312 DATA SHEET

SPEC.NO. : SZ21101102  
DATE : 2021/10/11  
REV. : A/

Approved By:

Checked By:

Prepared By:



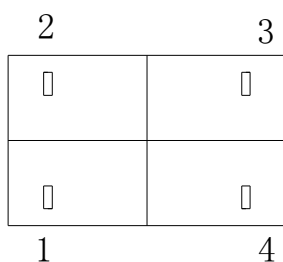
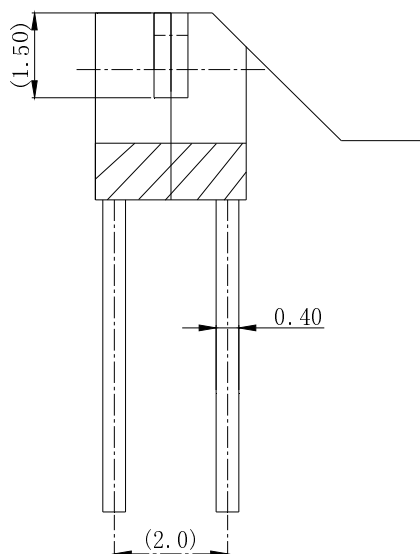
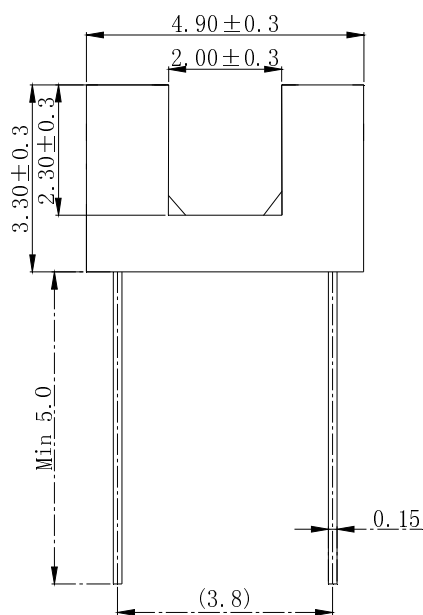
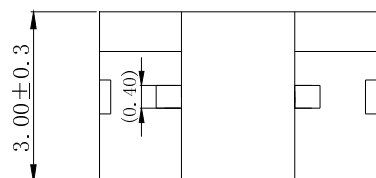
LIGHT

---

---

---

## ■ Package Dimensions



1: Cathode  
 2: Anode  
 3: Collector  
 4: Emitter

### Notes:

- All dimensions are in millimeters.
- Tolerance is  $\pm 0.20\text{mm}$  unless otherwise noted.
- Lead spacing is measured where the leads emerge from the package.

## Absolute Maximum Ratings (Ta=25°C)

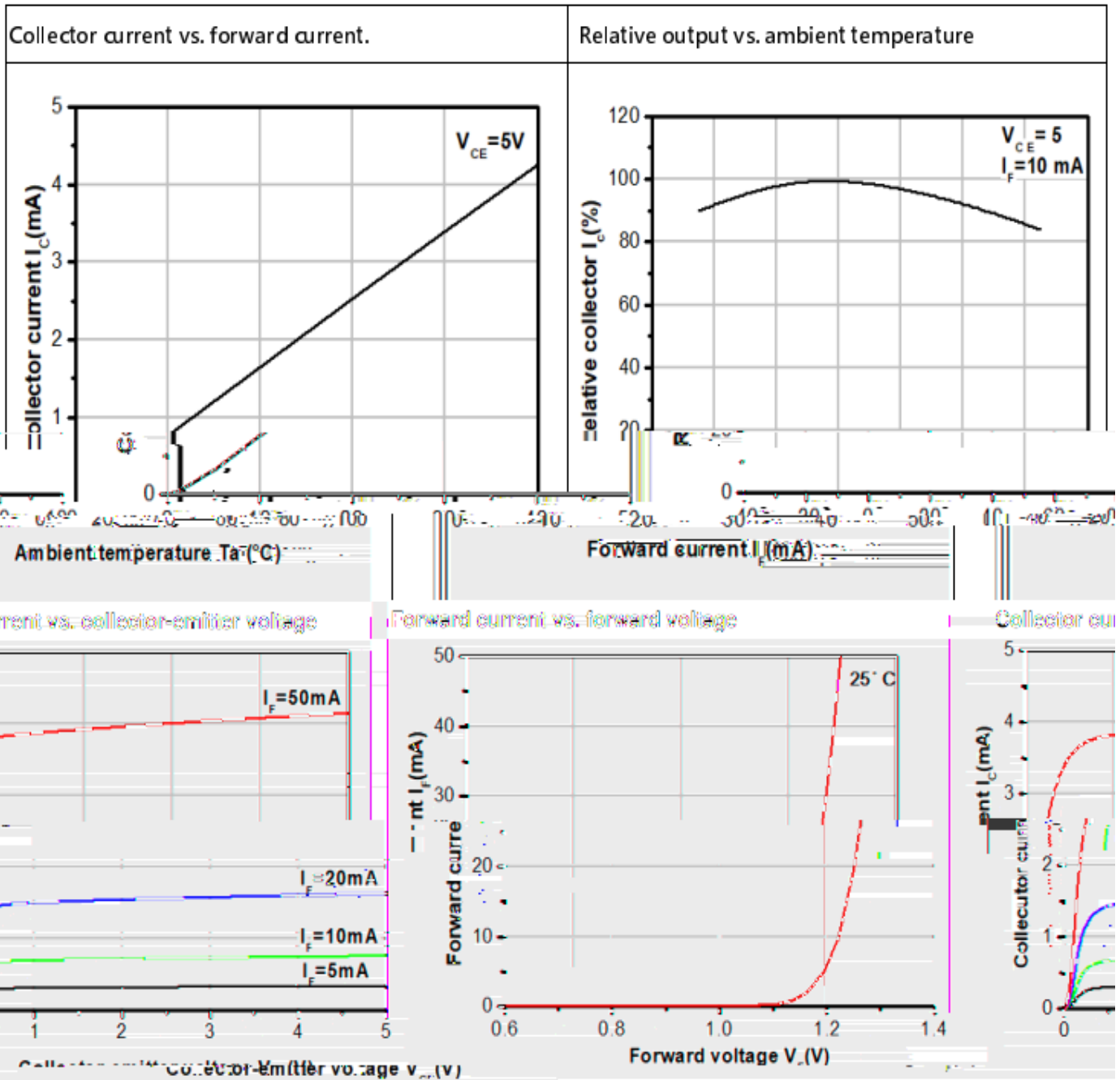
Symbol	Parameter	Min	Max	Unit
T <sub>stg</sub>	Storage temperature	-55	150	°C
	Operating temperature	-40	85	°C
	Temperature when mounting	-40	150	°C
	Temperature when soldering	-40	260	°C
T <sub>case</sub>	Case temperature	-40	150	°C
	Temperature when mounting	-40	150	°C
	Temperature when soldering	-40	260	°C
	Temperature when reflowing	-40	260	°C
P <sub>tot</sub>	Total power dissipation	0	100	mW
	Power dissipation per LED	0	30	mW
	Power dissipation per package	0	100	mW

\* Refer to the datasheet for detailed information.

## Electro-Optical Characteristics (Ta=25°C)

Symbol	Parameter	Min	Max	Unit
I <sub>f</sub>	Forward current	10	30	mA
	Peak forward current	10	30	mA
	Pulse forward current	10	30	mA
V <sub>f</sub>	Forward voltage	1.8	2.2	V
	Peak forward voltage	1.8	2.2	V
	Pulse forward voltage	1.8	2.2	V
I <sub>rev</sub>	Reverse current	0	1	mA
	Peak reverse current	0	1	mA
	Pulse reverse current	0	1	mA

## Typical Electrical/Optical/Characteristics Curves



## ■ Typical Electrical/Optical/Characteristics Curves

