



1.	.....	3
2.	.....	4
2.1	.....	4
2.2	.....	4
2.3	.....	5
2.4		

**1.**

LT986

QED

5 u ,μ

LT986

0.4ohm

5 LED

Eñ

e

"u

05

+g

LED 1B†

^E÷

;

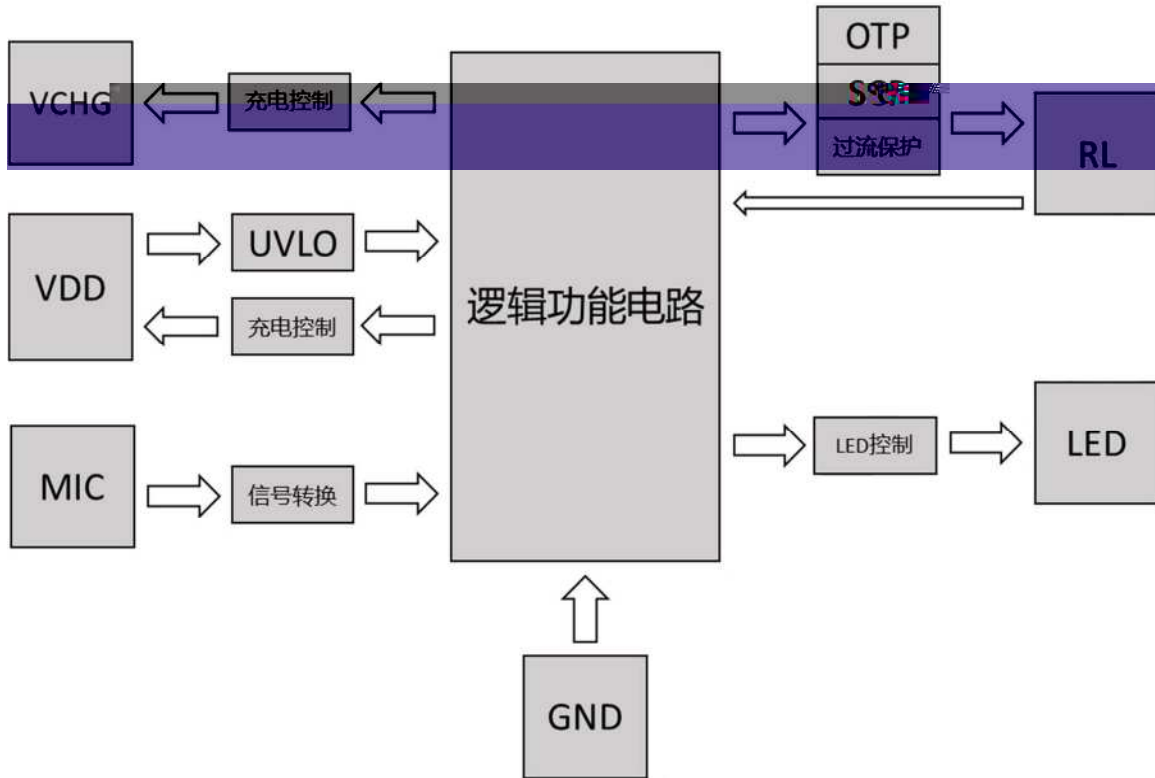
!)o

u,,c8 5

Ep

## 2.

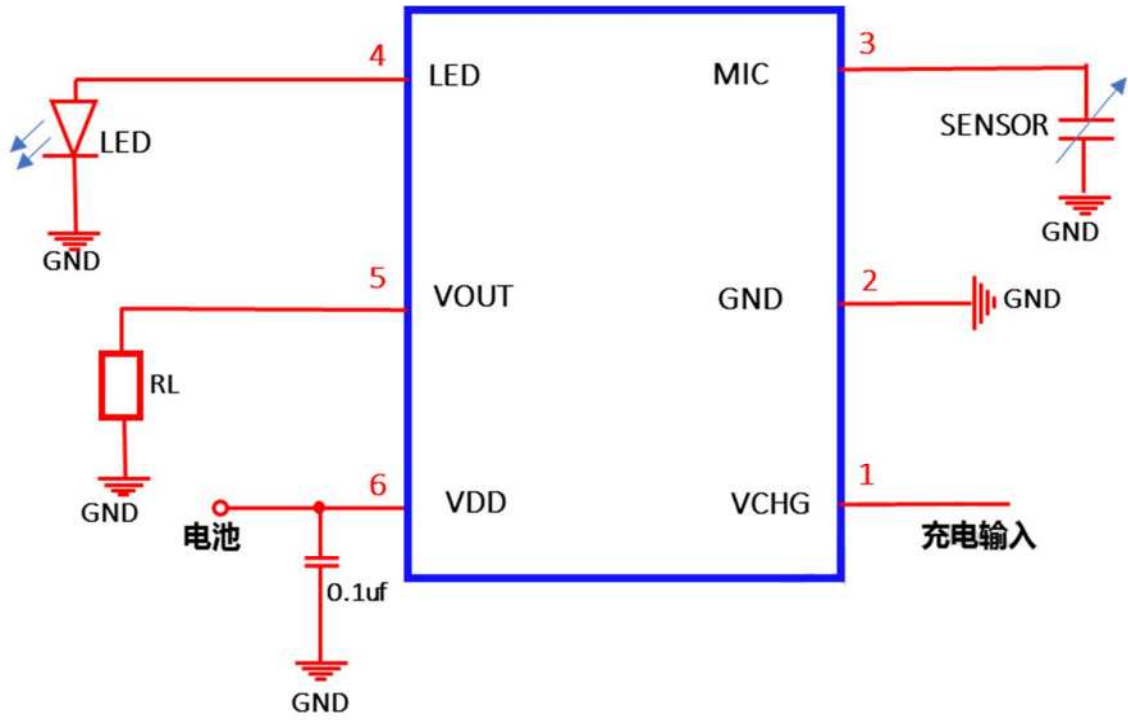
### 2.1



### 2.2

外形	序号	符号	功能描述
	1	VCHG	充电电源输入
	2	GND	地
	3	MIC	吸烟检测 (SENSOR)
	5	VOUT	接电热丝
	6	VDD	供电正端
	4		接LED

### 2.3



### 2.4

#### 2.4.1

LED

#### 2.4.2 LED

LED  
LED

#### 2.4.3

2.7V

AC-DC USB

2.7V

4.2V

4.2V

**2.4.4**

**OSC**

33KHz

**2.4.5**

**UVLO**

3.3V

**UVLO**

**SCP**

0.4 ohm

**OTP**

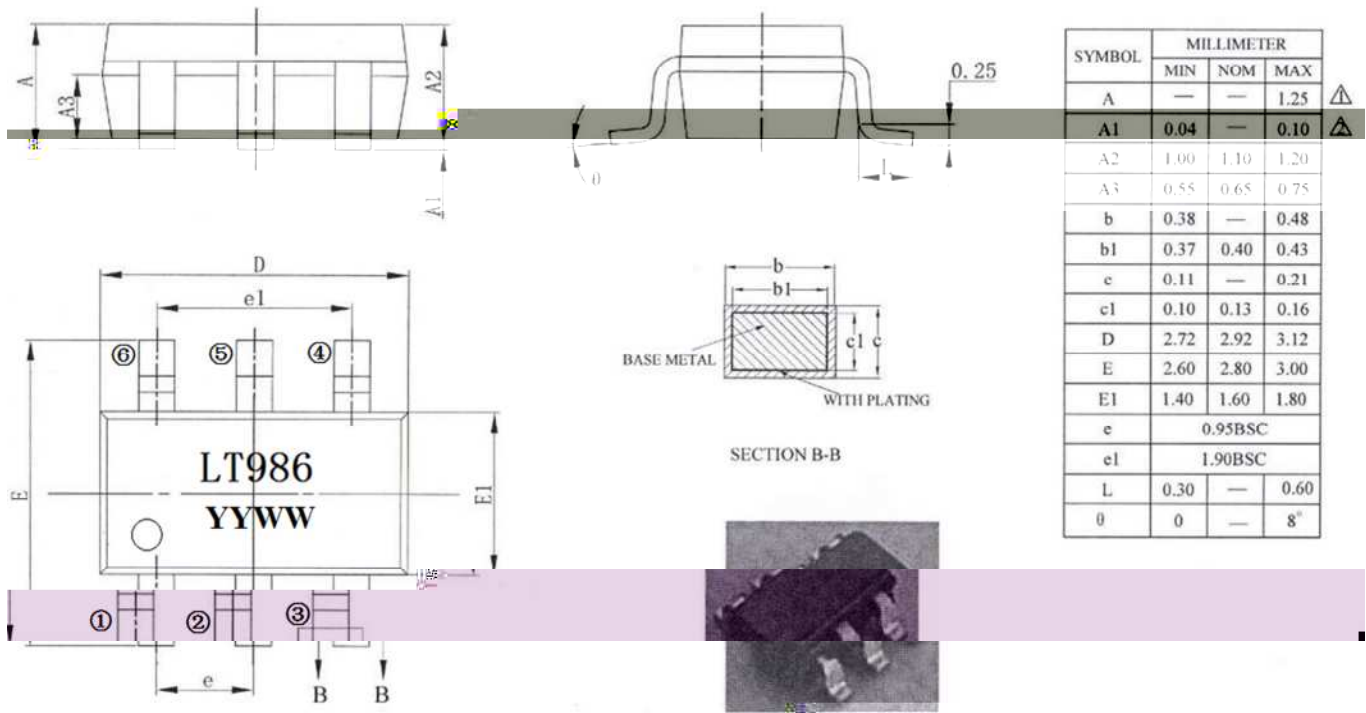
**2.5 LED**

	<b>LED</b>
	1
/	/
	2
	2
	3
	3

Partino.



4.



LT986  
YYWW

2252

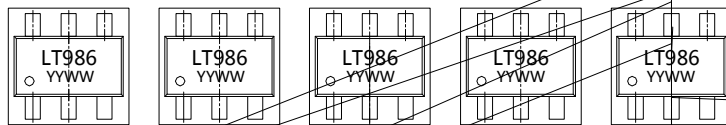
2022

52

5.

5.1

3000PCS/





		Test Time	Quantity	Ac/Re
		3 times	22PCS	0/1
	-55°C 15min 150°C 15min	100Cycles	22PCS	0/1
High Temperature Storage	Ta=150°C	500hrs	22PCS	0/1
Low Temperature Storage	Ta=-55°C	500hrs	22PCS	0/1
Temperature and Humidity Test	Ta=85°C RH=85%	500hrs	22PCS	0/1
Soldering Test	Ta=245°C T=5 sec	1 time	5PCS	0/1