

# SL-T2835WD060-L70-A-XX

## DATA SHEET

SPEC.NO.: SZ22081701  
DATE: 2022/08/17  
REV.: A/0

Approved By:

Checked By:

Prepared By:

# LIGHT

---

=

= **G** / **L** **5\*- 2**

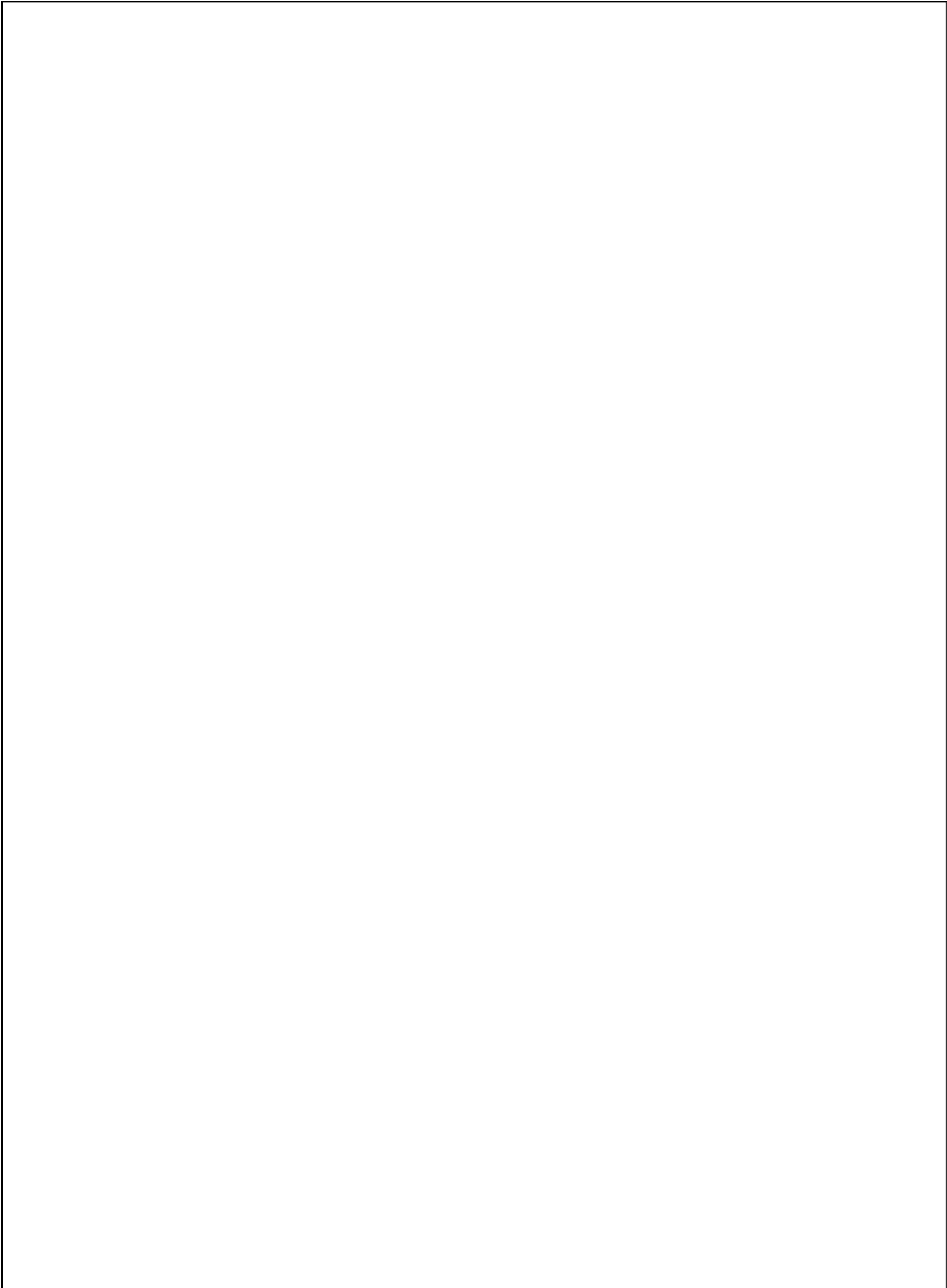
	<b>JA</b>	<b>L C</b>	<b>A 9</b>	<b>N N</b>	<b>J1</b>	<b>D L</b>
E F %I 6 ( ) 3 (		(			+&	%
E F %I 6 ( ) 3 &		&			+&	%
E F %I 6 ( ) 3 %		%			+&	& %

= **G** / **L** **5\*- 2**

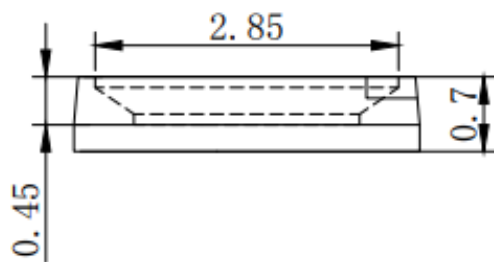
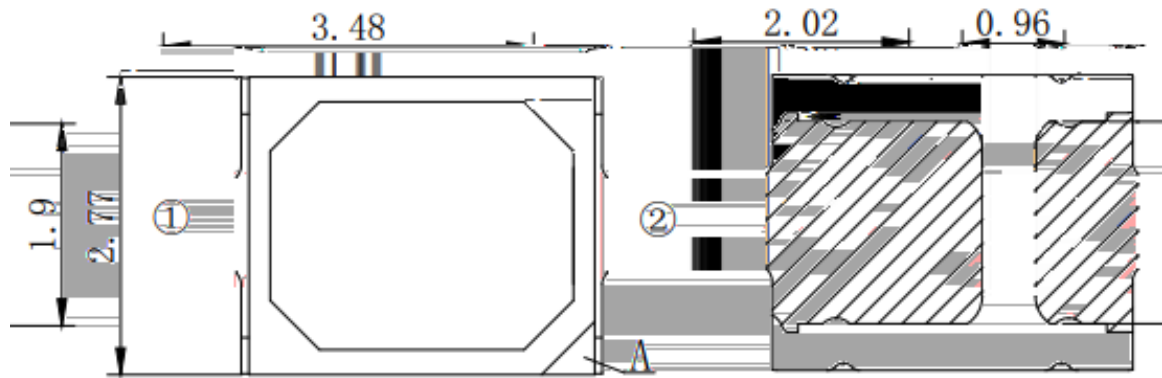
	<b>B</b>	<b>E</b>	<b>D</b>	<b>G</b>
Forward Current		;8		3
*Pulse Forward Current*		;8B		3
Power Dissipation		B		I
Operating Temperature		F	&	
Storage Temperature		F	&	
Junction Temperature		F		
Welding temperature		F	D	, ( , % %
3 : 4		7E6		H

6





G



Polarity

3 3

3

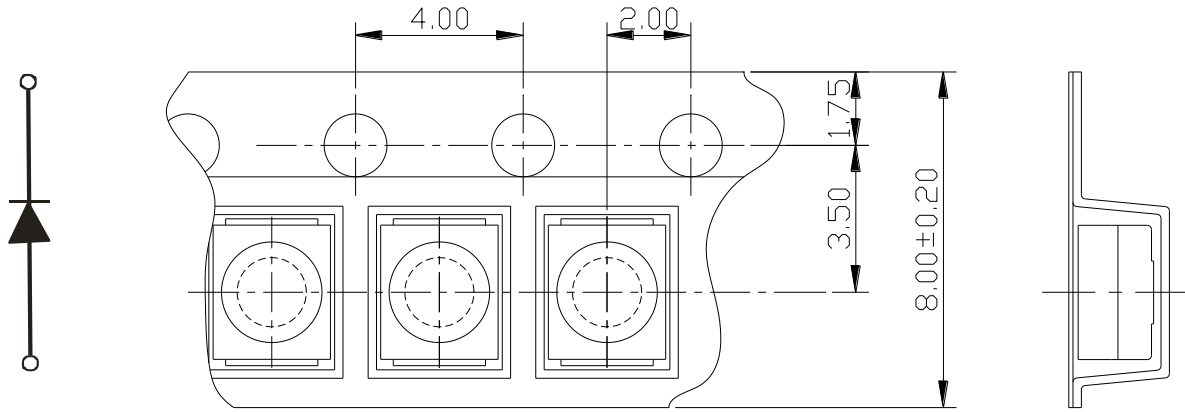
% 3

& E

**H**

◇

**L**



◇

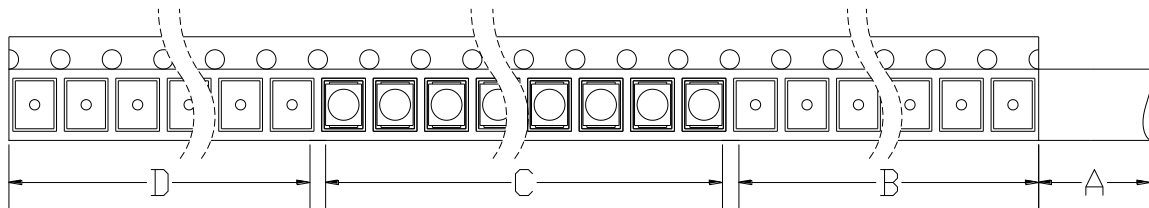
**G**

3

**L**

**B**

6



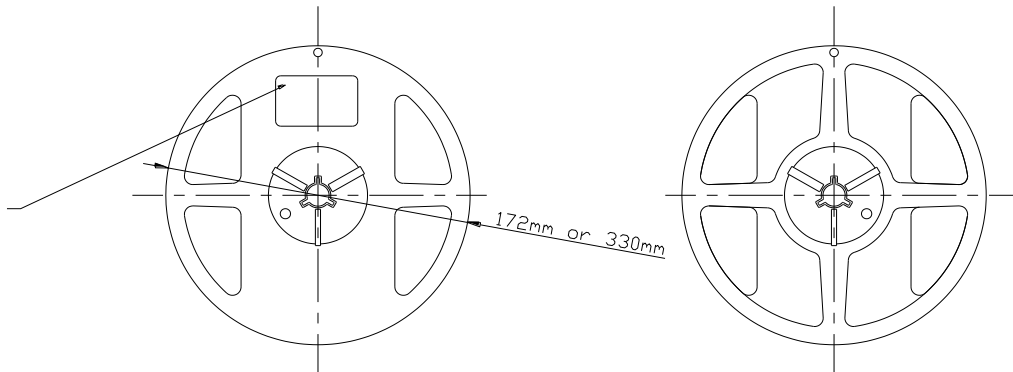
3 3, F 5 % F 4 % -4, 7 5 -5, & 6 -6, F 7

◇

**J**

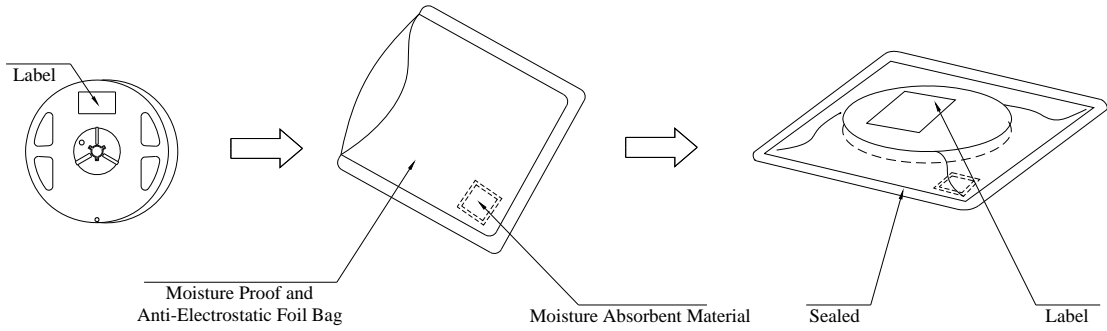
**B**

6

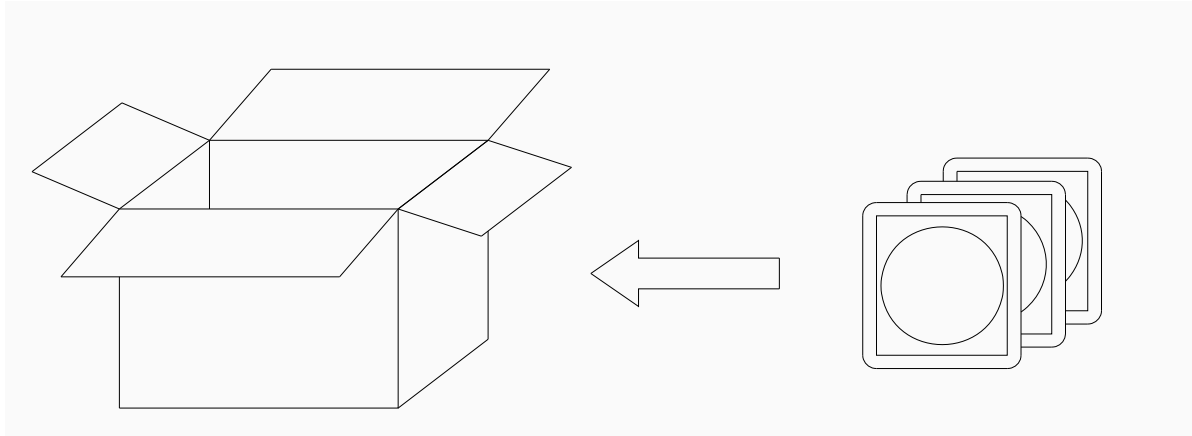




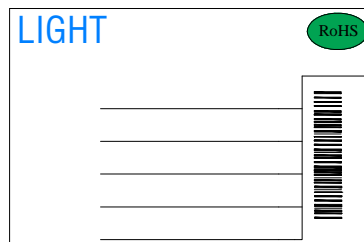
### Moisture Proof and Anti-Electrostatic Foil Bag



### Cardboard Box



### Label Explanation

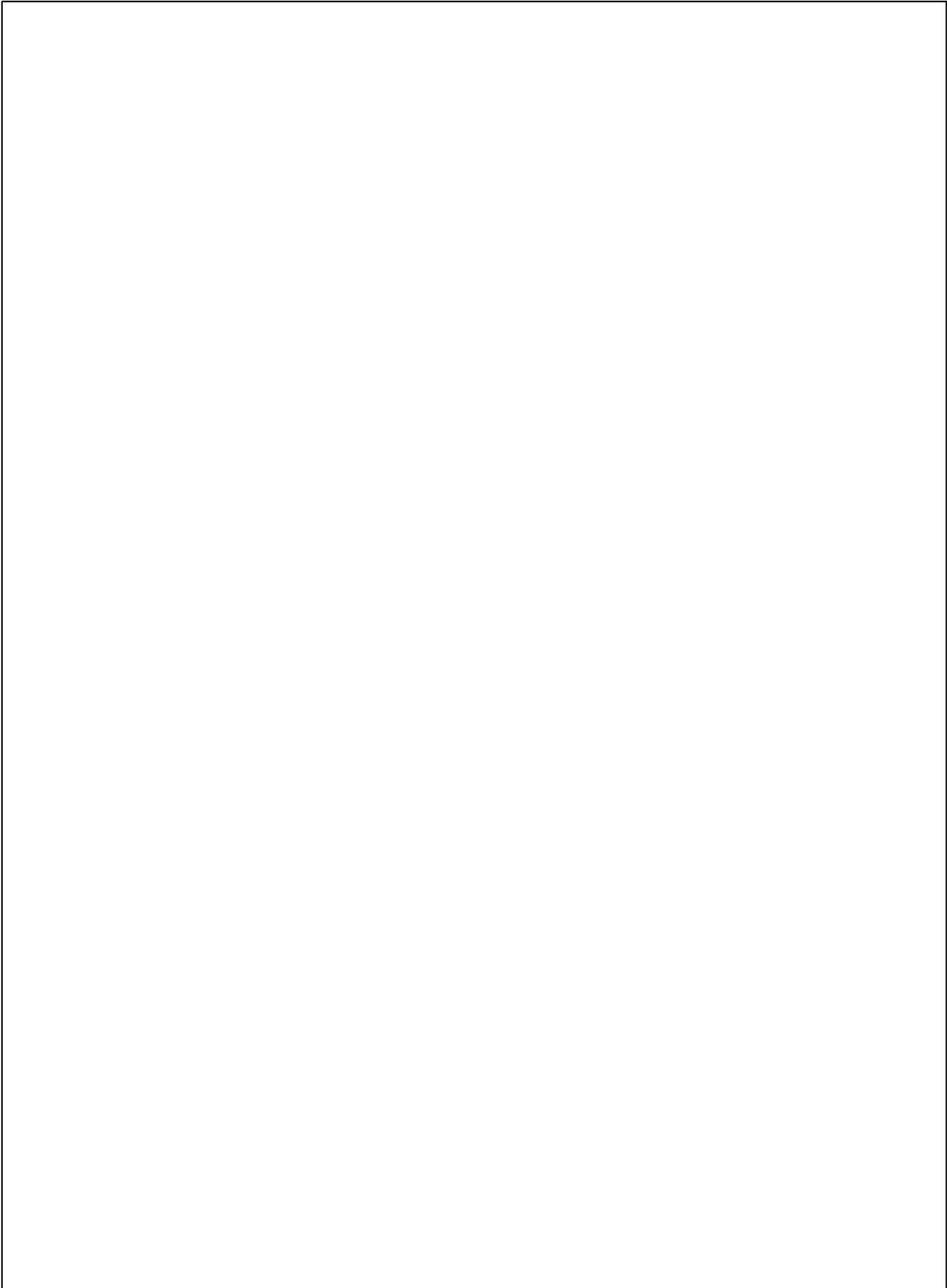


TYPE NO./	QUANTITY/
BIN./	DATE CODE/
REMARKS/	LOT NO./



**LIGHT**

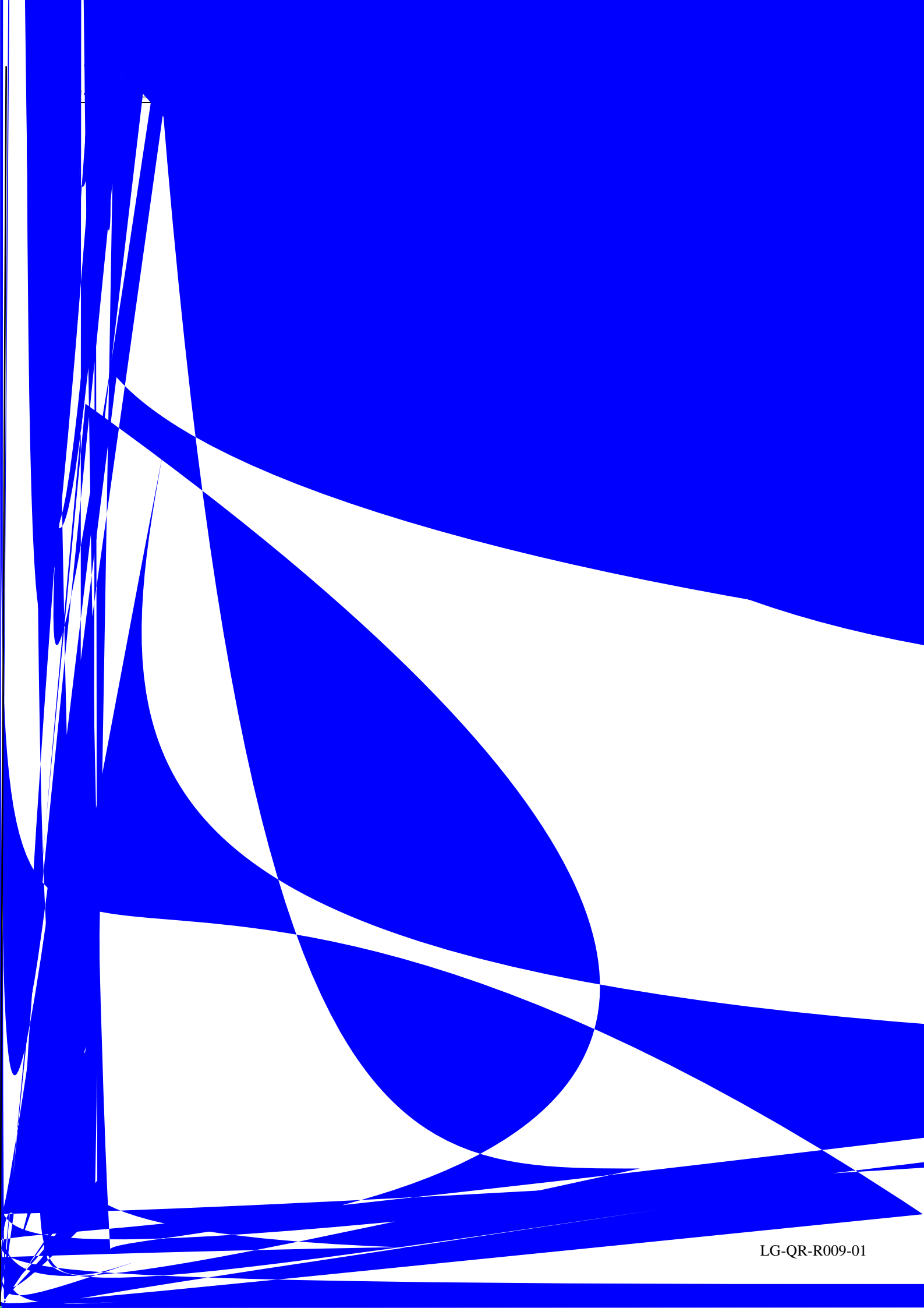


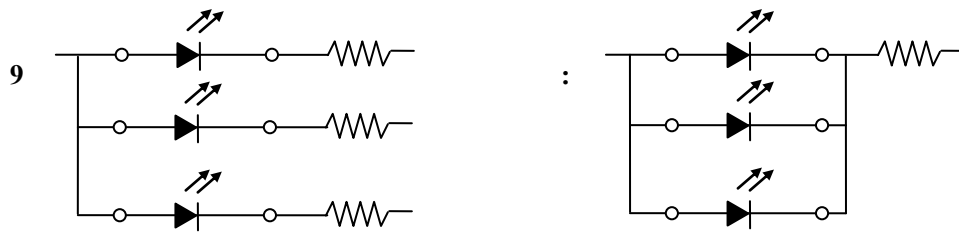


LIG

---







76

76

F 6

5

5

B

76

G

I

7

76

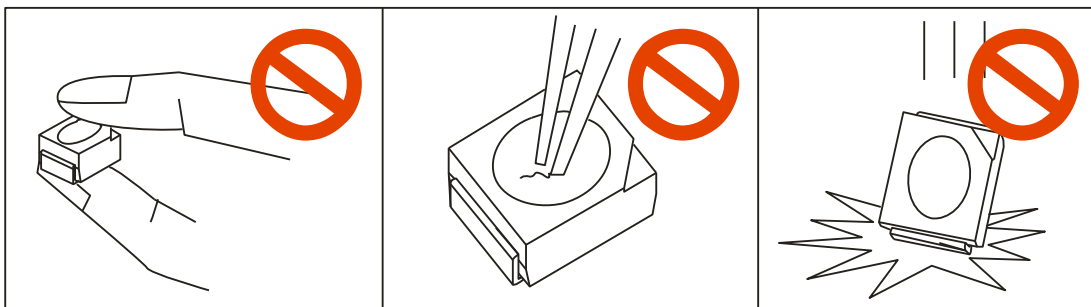
8

76

76

D

E



76

F

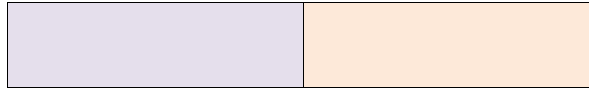
I

9

K

K

A5.( 9 L 5\*-



	%
%	%
%	&
&	&
&	

	+
+	+
+	+"&

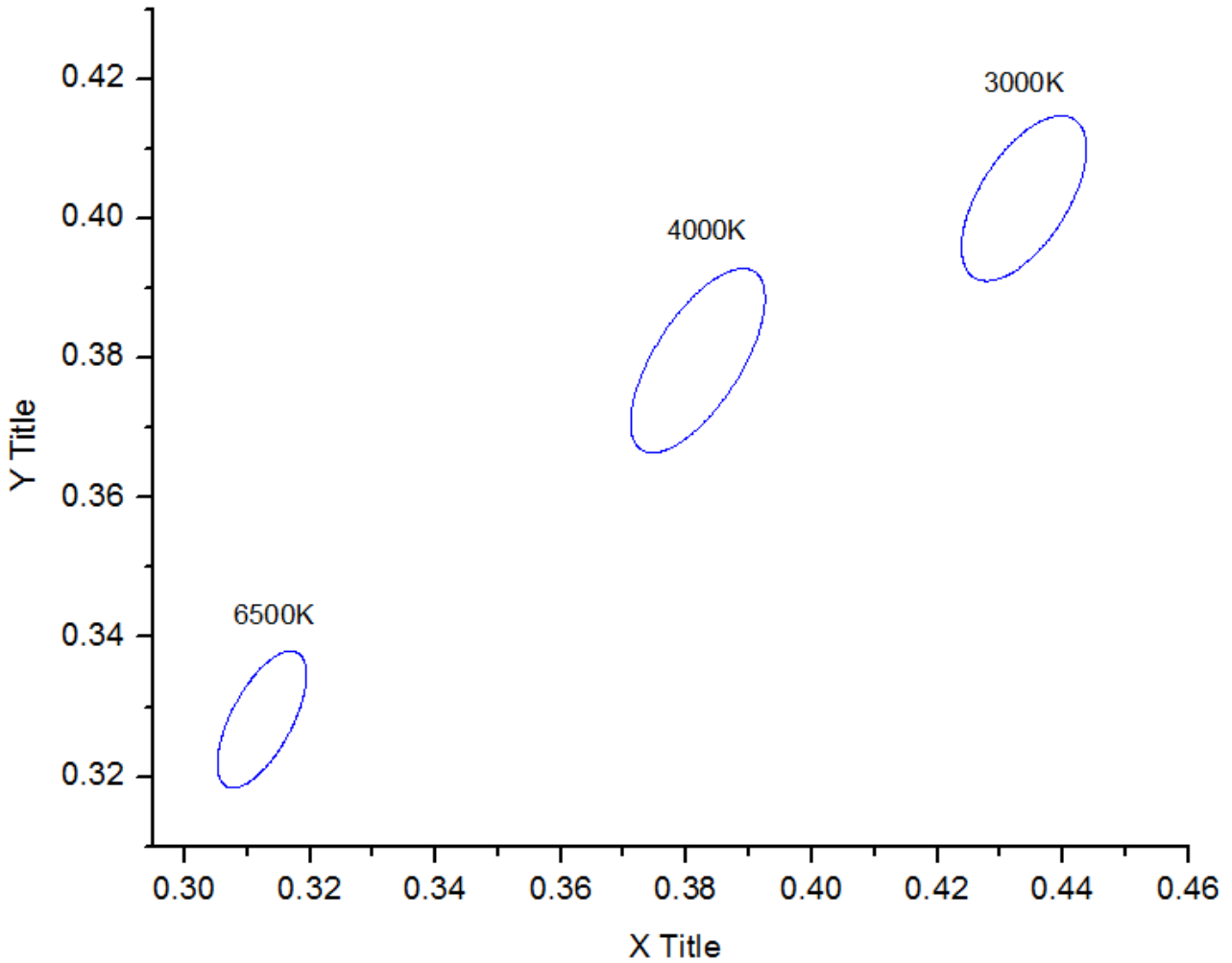
F  
F

)

H

H  
)

A5. ( 9 L 5\*-



9 (-	&@+	& %	)	%	%	
9 (-	%	%+)	%%	%&	%)	
9.--	% %	%	%	+	)	

3

LIG

**LIGHT ELECTRONICS CO., LTD.**

---

---

---